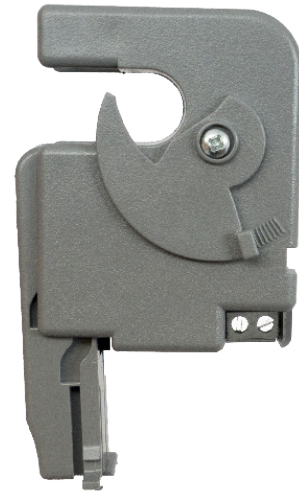
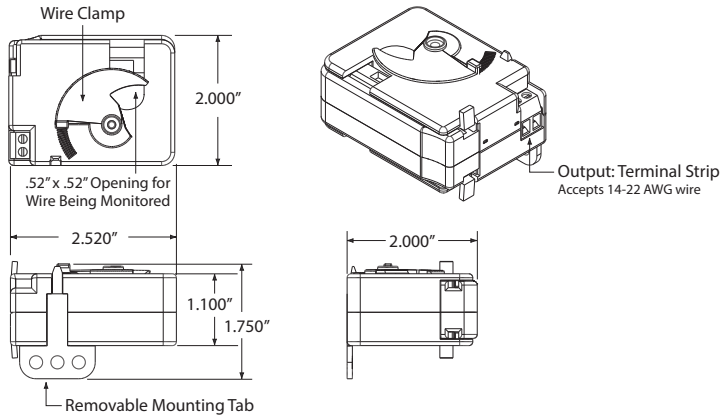


AC TRANSDUCER

RIBXGTV5-10

Enclosed Self-Powered Split Core AC Transducer (0-10A)
with 0-5Vdc Terminal Output



SPECIFICATIONS

Operating Temperature: -30 to 140° F

Humidity Range: 5 to 95% (noncondensing)

Accuracy: 98.3% Full Scale

Loading: 5% Error @ 58 kΩ

Max Sense Voltage: 600 Vac

Approvals: UL Listed, UL916, UL864, California State Fire Marshal, C-UL, CE, RoHS

Mounting/Installation: Removable mounting tab provided. The wire clamp locks against the wire being monitored, securing the unit in place.

Sensor Type: Split core with voltage output

